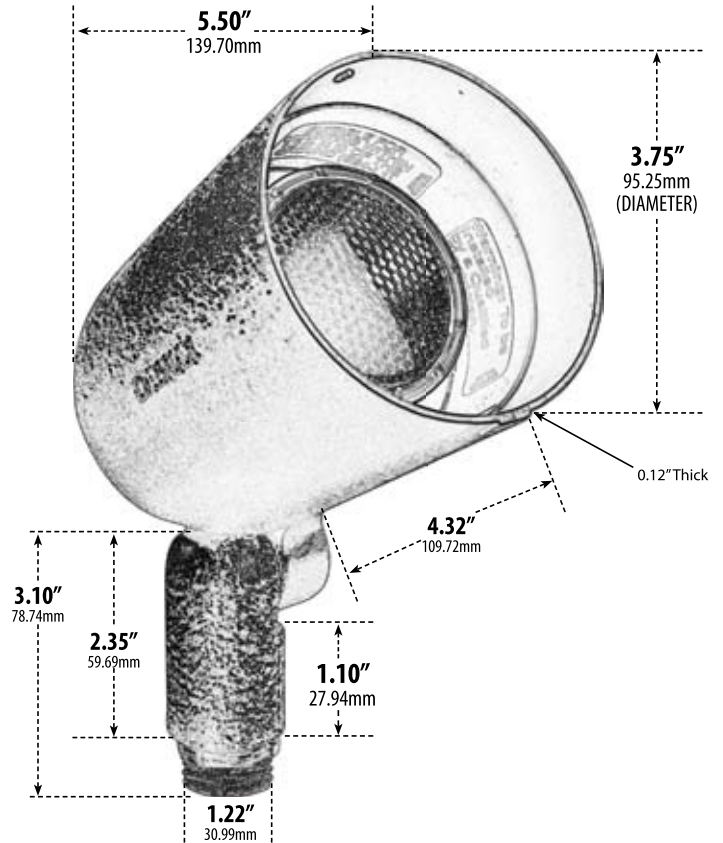


# DPR20

## DIRECTIONAL SPOT LIGHT



- ▶ **Material:** Powder Coated Cast Aluminum
- ▶ **Lens:** No Lens, Open Lamp
- ▶ **Lamp:** PAR20 (50W Maximum)

MODEL NUMBER	LAMP TYPE	ILLUMINANT TYPE	WATTS (W)	VOLTS (V)	LAMP(S) INCLUDED?
DPR20	PAR20	HALOGEN	50	120	NO

- ▶ **Adjustable Knuckle with 1/2" NPT**
- ▶ **Ground Spike Available:** LV-S6 (sold separately)
- ▶ **Available Color:** Black, Green, Verde Green
- ▶ **ETL Approved**

Maximum Height: 8.00"  
 Minimum Height: 6.50"  
 Width: 3.75"  
 Maximum Depth: 6.00"  
 Minimum Depth: 5.50"

Weight: 1.2 lbs  
 Approximate Wire Length: 6"  
 Box Dimensions:  
 5.75"H x 5.50"W x 4.00"D



DABMAR LIGHTING INCORPORATED

2140 Eastman Ave . Oxnard, CA 93030 . 805.604.9090 . f: 805.604.9050 . www.dabmar.com