



PRODUCT DESCRIPTION

Now our MX-LD-KIT discs are available in a convenient kit for the DIY customer. The kit includes three discs and a plug in driver with switch for fast and easy installation. These discs can be surface mounted or recessed. Die cast aluminum construction provides for durable construction and cool operation and are available in your choice of Bronze, White, or Aluminum.

FINISHES OPTION

White WT



MATERIAL

Aluminum

RATINGS

Dry Location
LED



ADDITIONAL

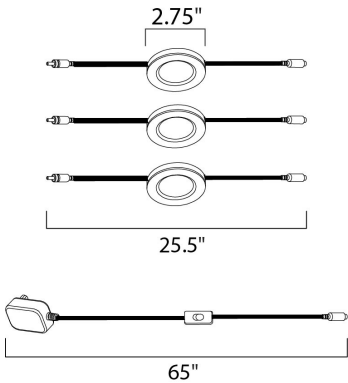
INSTALL UP/DOWN:
OPERATING TEMPERATURE:
-20°C (-4°F), 40°C (104°F)

MEASUREMENTS

DIMENSION : 2.75" W x 0.5" H
HANGING WEIGHT : 0.55 lb

LAMPING

INPUT VOLTAGE : 24V
LUMENS : 220 Rated (0 Del.)
BULB : 3 x 2.3W LED (INTEGRATED), 0W Total
CRI : 80+ CRI
COLOR_TEMP : 3000K



Always consult a qualified electrician before installing any lighting product.



WESTERN DISTRIBUTION CENTER (HEADQUARTER)
253 NORTH VINELAND AVE | CITY OF INDUSTRY, CA 91746

EASTERN DISTRIBUTION CENTER
4200 SHIRLEY DR. | ATLANTA, GA 30336

P. 626.956.4200 | F. 626.956.4225 | maximlighting.com